

**AUTHORIZED PERSONNEL ONLY Safety Label - 5" x 3"  
White on Green**

SKU: TB-RCT-50X30-WG-H-3611D7

Category: Rectangle Labels

Color: White On Green

**ENGRAVED TEXT**

Line 1: "AUTHORIZED PERSONNEL ONLY"

**SPECIFICATIONS**

|                 |                                       |
|-----------------|---------------------------------------|
| Width           | 127.0mm (5.00")                       |
| Height          | 76.2mm (3.00")                        |
| Material        | 2-Ply Laser Engraved Modified Acrylic |
| Engraving Depth | 0.003" (0.076mm) - Depth may vary     |
| Surface Finish  | Matte                                 |
| Thickness       | 0.0625" (1.6mm)                       |
| Cutting Method  | Laser                                 |

**TOLERANCES**

Length: +/-0.12" | Width: +/-0.12" | Thickness: +/-5%

**DURABILITY & ENVIRONMENT**

- UV Tested: 3+ years without significant color change (ISO 4892-3)
- Suitable for outdoor use
- Temperature Range: -40F to 200F

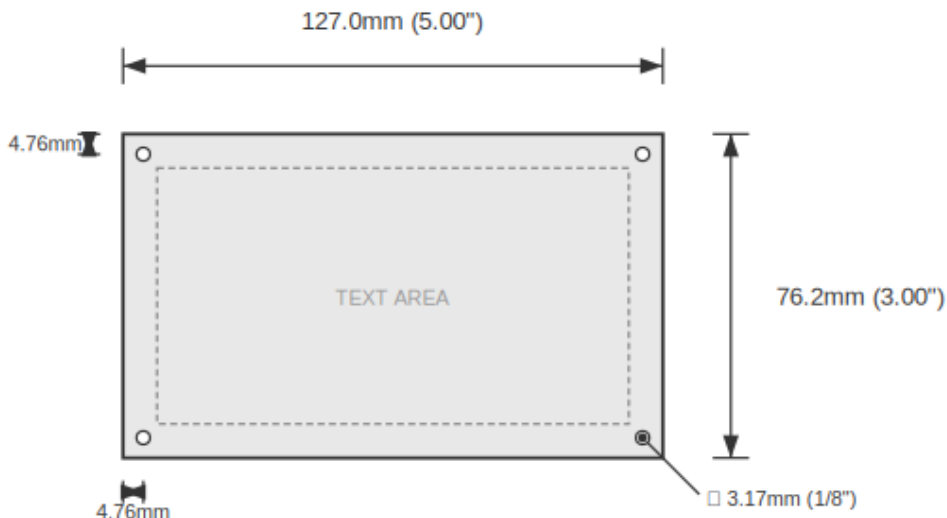
**SAFETY RATINGS**

| NFPA 704                 | HMIS                         |
|--------------------------|------------------------------|
| Health: 0 (Minimal)      | Health: 0 (Minimal)          |
| Flammability: 1 (Slight) | Flammability: 1 (Slight)     |
| Reactivity: 0 (Minimal)  | Physical Hazard: 0 (Minimal) |

*Transport: Not classified as dangerous goods*

**Product: AUTHORIZED PERSONNEL ONLY Safety Label - 5" x 3" White on Green**

SKU: TB-RO



**DIMENSIONS**

|                |                              |
|----------------|------------------------------|
| Width          | 127.0mm (5.00")              |
| Height         | 76.2mm (3.00")               |
| Text Size      | 5.0mm (0.20")                |
| Color          | White On Green               |
| Corner Style   | Square                       |
| Holes          | Yes (4x corners)             |
| Hole Diameter  | 3.18mm (1/8")                |
| Hole Quantity  | 4                            |
| Hole Clearance | 3.18mm (1/8") from each edge |
| Mounting       | Screw through hole           |

**NOTES**

1. All dimensions in millimeters unless otherwise noted
2. Drawing not to scale
3. See page 1 for manufacturing tolerances
4. Custom sizes available upon request