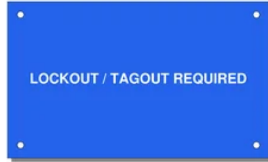


LOCKOUT / TAGOUT REQUIRED Lockout/Tagout Tag - 5" x 3" White on Blue

SKU: TB-RCT-50X30-WB2-H-13F2C0

Category: Rectangle Labels

Color: White On Blue

**ENGRAVED TEXT**

Line 1: "LOCKOUT / TAGOUT REQUIRED"

SPECIFICATIONS

Width	127.0mm (5.00")
Height	76.2mm (3.00")
Material	2-Ply Laser Engraved Modified Acrylic
Engraving Depth	0.003" (0.076mm) - Depth may vary
Surface Finish	Matte
Thickness	0.0625" (1.6mm)
Cutting Method	Laser

TOLERANCES

Length: +/-0.12" | Width: +/-0.12" | Thickness: +/-5%

DURABILITY & ENVIRONMENT

- UV Tested: 3+ years without significant color change (ISO 4892-3)
- Suitable for outdoor use
- Temperature Range: -40F to 200F

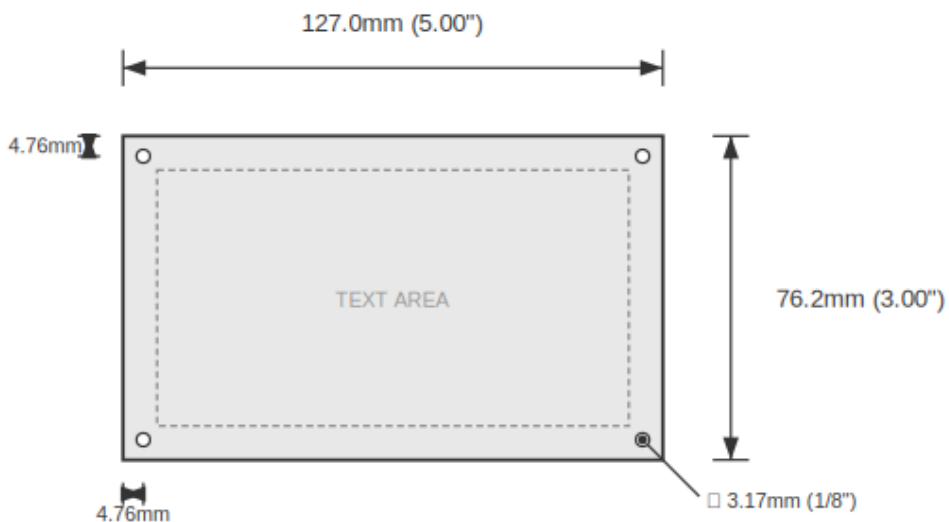
SAFETY RATINGS

NFPA 704	HMIS
Health: 0 (Minimal)	Health: 0 (Minimal)
Flammability: 1 (Slight)	Flammability: 1 (Slight)
Reactivity: 0 (Minimal)	Physical Hazard: 0 (Minimal)

Transport: Not classified as dangerous goods

Product: LOCKOUT / TAGOUT REQUIRED Lockout/Tagout Tag - 5" x 3" White on Blue

SKU: TB-RO



DIMENSIONS

Width	127.0mm (5.00")
Height	76.2mm (3.00")
Text Size	5.0mm (0.20")
Color	White On Blue
Corner Style	Square
Holes	Yes (4x corners)
Hole Diameter	3.18mm (1/8")
Hole Quantity	4
Hole Clearance	3.18mm (1/8") from each edge
Mounting	Screw through hole

NOTES

1. All dimensions in millimeters unless otherwise noted
2. Drawing not to scale
3. See page 1 for manufacturing tolerances
4. Custom sizes available upon request