

NORMAL POWER SOURCE Safety Label - 5" x 3" Black on Orange

SKU: TB-RCT-50X30-BO-H-678662

Category: Rectangle Labels

Color: Black On Orange

**ENGRAVED TEXT**

Line 1: "NORMAL POWER SOURCE"

SPECIFICATIONS

| | |
|-----------------|-----------------------------------|
| Width | 127.0mm (5.00") |
| Height | 76.2mm (3.00") |
| Material | 2-Ply Engraved Modified Acrylic |
| Engraving Depth | 0.003" (0.076mm) - Depth may vary |
| Surface Finish | Matte |
| Thickness | 0.0625" (1.6mm) |
| Cutting Method | Precision Cut |

TOLERANCES

Length: +/-0.12" | Width: +/-0.12" | Thickness: +/-5%

DURABILITY & ENVIRONMENT

- UV Tested: 3+ years without significant color change (ISO 4892-3)
- Suitable for outdoor use
- Temperature Range: -40F to 200F

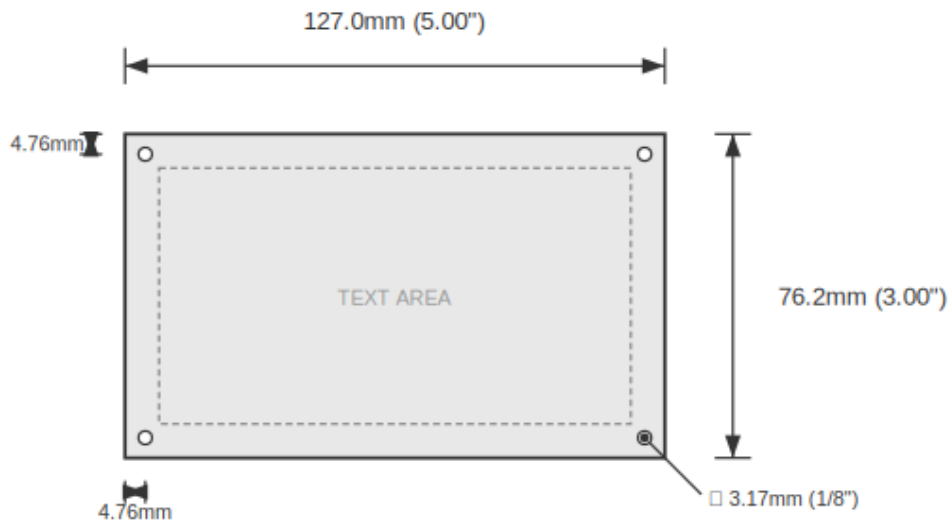
SAFETY RATINGS

| NFPA 704 | HMIS |
|--------------------------|------------------------------|
| Health: 0 (Minimal) | Health: 0 (Minimal) |
| Flammability: 1 (Slight) | Flammability: 1 (Slight) |
| Reactivity: 0 (Minimal) | Physical Hazard: 0 (Minimal) |

Transport: Not classified as dangerous goods

Product: NORMAL POWER SOURCE Safety Label - 5" x 3" Black on Orange

SKU: TB-RC



DIMENSIONS

| | |
|----------------|------------------------------|
| Width | 127.0mm (5.00") |
| Height | 76.2mm (3.00") |
| Text Size | 5.0mm (0.20") |
| Color | Black On Orange |
| Corner Style | Square |
| Holes | Yes (4x corners) |
| Hole Diameter | 3.18mm (1/8") |
| Hole Quantity | 4 |
| Hole Clearance | 3.18mm (1/8") from each edge |
| Mounting | Screw through hole |

NOTES

1. All dimensions in millimeters unless otherwise noted
2. Drawing not to scale
3. See page 1 for manufacturing tolerances
4. Custom sizes available upon request