

UPS BYPASS Safety Label - 4" x 1.5" Black on White

SKU: TB-RCT-40X15-BW-H-11618A

Category: Rectangle Labels

Color: Black On White

**ENGRAVED TEXT**

Line 1: "UPS BYPASS"

SPECIFICATIONS

Width	101.6mm (4.00")
Height	38.1mm (1.50")
Material	2-Ply Laser Engraved Modified Acrylic
Engraving Depth	0.003" (0.076mm) - Depth may vary
Surface Finish	Matte
Thickness	0.0625" (1.6mm)
Cutting Method	Laser

TOLERANCES

Length: +/-0.12" | Width: +/-0.12" | Thickness: +/-5%

DURABILITY & ENVIRONMENT

- UV Tested: 3+ years without significant color change (ISO 4892-3)
- Suitable for outdoor use
- Temperature Range: -40F to 200F

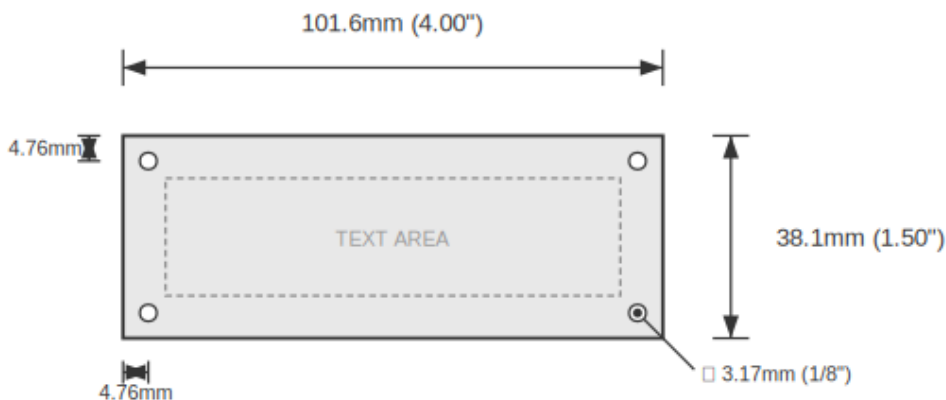
SAFETY RATINGS

NFPA 704	HMIS
Health: 0 (Minimal)	Health: 0 (Minimal)
Flammability: 1 (Slight)	Flammability: 1 (Slight)
Reactivity: 0 (Minimal)	Physical Hazard: 0 (Minimal)

Transport: Not classified as dangerous goods

Product: UPS BYPASS Safety Label - 4" x 1.5" Black on White

SKU: TB-RC



DIMENSIONS

Width	101.6mm (4.00")
Height	38.1mm (1.50")
Text Size	5.0mm (0.20")
Color	Black On White
Corner Style	Square
Holes	Yes (4x corners)
Hole Diameter	3.18mm (1/8")
Hole Quantity	4
Hole Clearance	3.18mm (1/8") from each edge
Mounting	Screw through hole

NOTES

1. All dimensions in millimeters unless otherwise noted
2. Drawing not to scale
3. See page 1 for manufacturing tolerances
4. Custom sizes available upon request