



**ENABLE / OFF / DISABLE Push Button Legend Plate - 30mm White on Black (Allen-Bradley)**

SKU: TB-R30-ENABLE-OFF-DISABLE-ROC

Category: Ring Tags

Color: White On Black

Device Size: 30mm

**ENGRAVED TEXT**

Line 1: "ENABLE"  
 Line 2: "OFF"  
 Line 3: "DISABLE"

**SPECIFICATIONS**

Device Size	30mm
Tag Dimensions	38.8 x 56.2 mm
Hole Diameter	30mm
Material	2-Ply Laser Engraved Modified Acrylic
Engraving Depth	0.003" (0.076mm) - Depth may vary
Surface Finish	Matte
Thickness	0.0625" (1.6mm)
Cutting Method	Laser

**TOLERANCES**

Length: +/-0.12" | Width: +/-0.12" | Thickness: +/-5%

**DURABILITY & ENVIRONMENT**

- UV Tested: 3+ years without significant color change (ISO 4892-3)
- Suitable for outdoor use
- Temperature Range: -40F to 200F

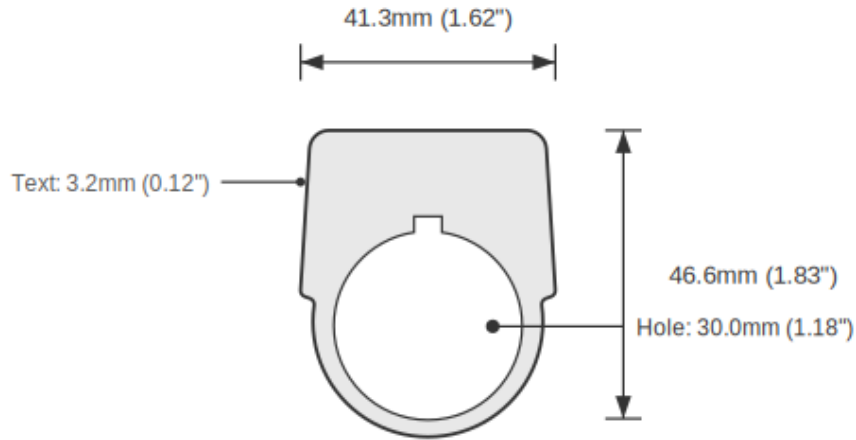
**SAFETY RATINGS**

NFPA 704	HMIS
Health: 0 (Minimal)	Health: 0 (Minimal)
Flammability: 1 (Slight)	Flammability: 1 (Slight)
Reactivity: 0 (Minimal)	Physical Hazard: 0 (Minimal)

Transport: Not classified as dangerous goods

**Product: ENABLE / OFF / DISABLE Push Button Legend Plate - 30mm White on Black (Allen-Bradley)**

SKU: TB-R3



**DIMENSIONS**

Overall Width	38.8mm (1.53")
Overall Height	56.2mm (2.21")
Hole Diameter	30.0mm (1.18")
Text Size	3.2mm (0.12")

**NOTES**

1. All dimensions in millimeters unless otherwise noted
2. Drawing not to scale
3. See page 1 for manufacturing tolerances
4. Custom sizes available upon request