

### RESET Push Button Legend Plate - 22mm Black on White (Allen-Bradley)

SKU: TB-R22-RESET-ABSQ1-RW-BLA

Category: Ring Tags

Color: Black On White

Device Size: 22mm

### ENGRAVED TEXT

Line 1: "RESET"

### SPECIFICATIONS

|                 |                                   |
|-----------------|-----------------------------------|
| Device Size     | 22mm                              |
| Tag Dimensions  | 32.7 x 46.0 mm                    |
| Hole Diameter   | 22mm                              |
| Material        | 2-Ply Engraved Modified Acrylic   |
| Engraving Depth | 0.003" (0.076mm) - Depth may vary |
| Surface Finish  | Matte                             |
| Thickness       | 0.0625" (1.6mm)                   |
| Cutting Method  | Precision Cut                     |

### TOLERANCES

Length: +/-0.12" | Width: +/-0.12" | Thickness: +/-5%

### DURABILITY & ENVIRONMENT

- UV Tested: 3+ years without significant color change (ISO 4892-3)
- Suitable for outdoor use
- Temperature Range: -40F to 200F

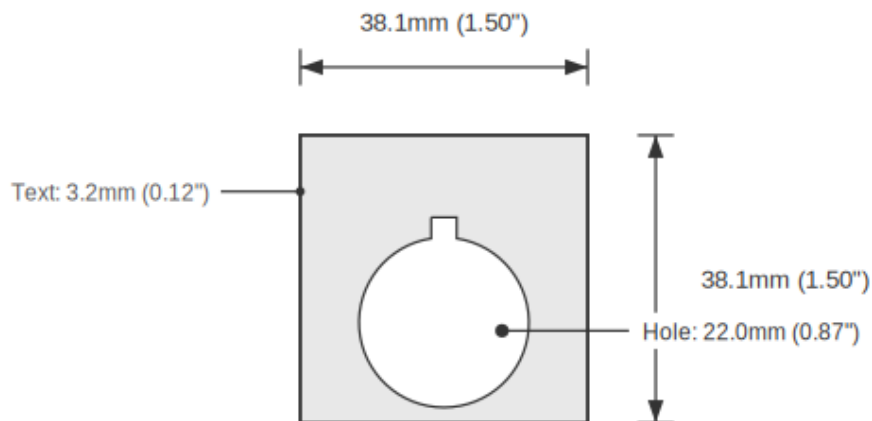
### SAFETY RATINGS

| NFPA 704                 | HMIS                         |
|--------------------------|------------------------------|
| Health: 0 (Minimal)      | Health: 0 (Minimal)          |
| Flammability: 1 (Slight) | Flammability: 1 (Slight)     |
| Reactivity: 0 (Minimal)  | Physical Hazard: 0 (Minimal) |

Transport: Not classified as dangerous goods

Product: RESET Push Button Legend Plate - 22mm Black on White (Allen-Bradley)

SKU: TB-R2



## DIMENSIONS

|                |                |
|----------------|----------------|
| Overall Width  | 32.7mm (1.29") |
| Overall Height | 46.0mm (1.81") |
| Hole Diameter  | 22.0mm (0.87") |
| Text Size      | 3.2mm (0.12")  |

## NOTES

1. All dimensions in millimeters unless otherwise noted
2. Drawing not to scale
3. See page 1 for manufacturing tolerances
4. Custom sizes available upon request