



## 22mm Ring Tag - FAULT, Single-Line Traditional, White on Black

SKU: TB-R22-FAULT-TRAD1-STD-WHI

Category: Ring Tags

Color: White On Black

Device Size: 22mm

### ENGRAVED TEXT

Line 1: "FAULT"

### SPECIFICATIONS

Device Size	22mm
Tag Dimensions	32.7 x 46.0 mm
Hole Diameter	22mm
Material	2-Ply Laser Engraved Modified Acrylic
Engraving Depth	0.003" (0.076mm) - Depth may vary
Surface Finish	Matte
Thickness	0.0625" (1.6mm)
Cutting Method	Laser

### TOLERANCES

Length: +/-0.12" | Width: +/-0.12" | Thickness: +/-5%

### DURABILITY & ENVIRONMENT

- UV Tested: 3+ years without significant color change (ISO 4892-3)
- Suitable for outdoor use
- Temperature Range: -40F to 200F

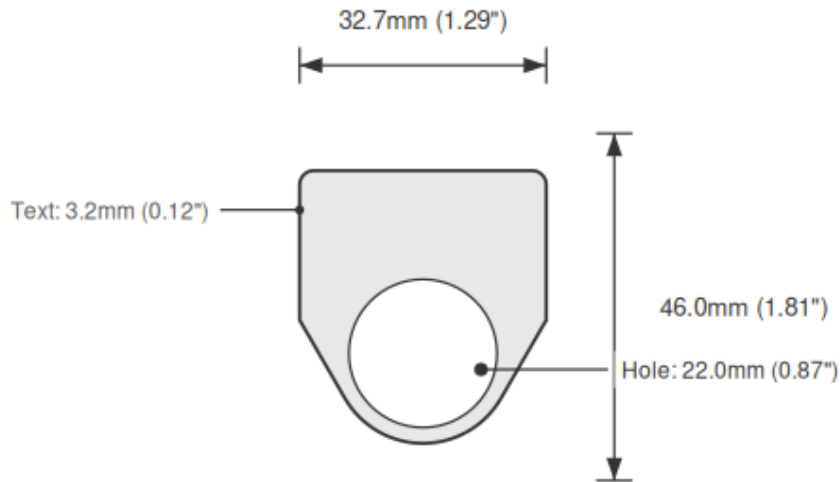
### SAFETY RATINGS

NFPA 704	HMIS
Health: 0 (Minimal)	Health: 0 (Minimal)
Flammability: 1 (Slight)	Flammability: 1 (Slight)
Reactivity: 0 (Minimal)	Physical Hazard: 0 (Minimal)

Transport: Not classified as dangerous goods

**Product: 22mm Ring Tag - FAULT, Single-Line Traditional, White on Black**

SKU: TB-R2



**DIMENSIONS**

Overall Width	32.7mm (1.29")
Overall Height	46.0mm (1.81")
Hole Diameter	22.0mm (0.87")
Text Size	3.2mm (0.12")

**NOTES**

1. All dimensions in millimeters unless otherwise noted
2. Drawing not to scale
3. See page 1 for manufacturing tolerances
4. Custom sizes available upon request