



### AUTO / OFF / MANUAL Push Button Legend Plate - 22mm White on Red (Schneider Electric)

SKU: TB-R22-AUTOOFFMANUA-TRAD3-SE-WHI

Category: Ring Tags

Color: White On Red

Device Size: 22mm

#### ENGRAVED TEXT

Line 1: "AUTO"  
Line 2: "OFF"  
Line 3: "MANUAL"

#### SPECIFICATIONS

Device Size	22mm
Tag Dimensions	32.7 x 46.0 mm
Hole Diameter	22mm
Material	2-Ply Laser Engraved Modified Acrylic
Engraving Depth	0.003" (0.076mm) - Depth may vary
Surface Finish	Matte
Thickness	0.0625" (1.6mm)
Cutting Method	Laser

#### TOLERANCES

Length: +/-0.12" | Width: +/-0.12" | Thickness: +/-5%

#### DURABILITY & ENVIRONMENT

- UV Tested: 3+ years without significant color change (ISO 4892-3)
- Suitable for outdoor use
- Temperature Range: -40F to 200F

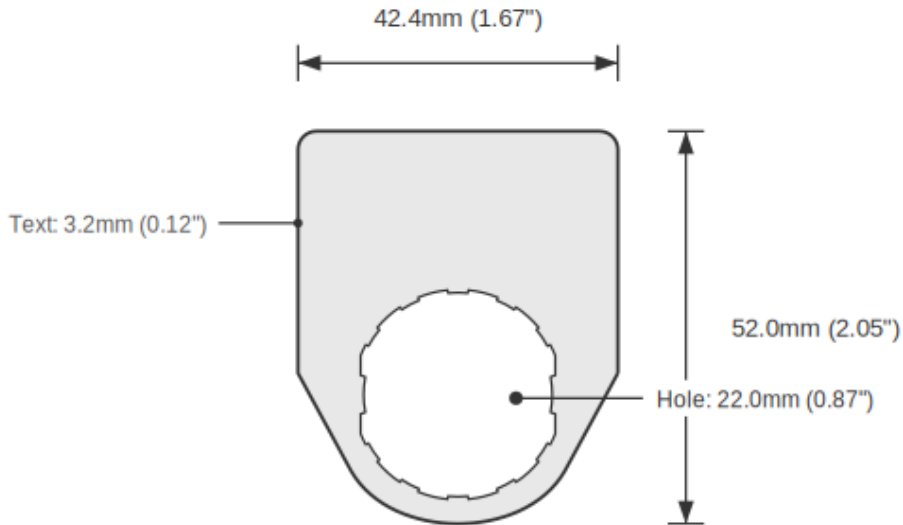
#### SAFETY RATINGS

NFPA 704	HMIS
Health: 0 (Minimal)	Health: 0 (Minimal)
Flammability: 1 (Slight)	Flammability: 1 (Slight)
Reactivity: 0 (Minimal)	Physical Hazard: 0 (Minimal)

Transport: Not classified as dangerous goods

**Product: AUTO / OFF / MANUAL Push Button Legend Plate - 22mm White on Red (Schneider Electric)**

SKU: TB-R2



**DIMENSIONS**

Overall Width	32.7mm (1.29")
Overall Height	46.0mm (1.81")
Hole Diameter	22.0mm (0.87")
Text Size	3.2mm (0.12")

**NOTES**

1. All dimensions in millimeters unless otherwise noted
2. Drawing not to scale
3. See page 1 for manufacturing tolerances
4. Custom sizes available upon request