

LOCAL / REMOTE Push Button Legend Plate - 30mm Black on White (Schneider Electric)

SKU: TB-R30-LOCAL-REMOTE-SCH-BLA

Category: Ring Tags

Color: Black On White

Device Size: 30mm

ENGRAVED TEXT

Line 1: "LOCAL"
Line 2: "REMOTE"

| SPECIFICATIONS | |
|-----------------|---------------------------------------|
| Device Size | 30mm |
| Tag Dimensions | 38.8 x 56.2 mm |
| Hole Diameter | 30mm |
| Material | 2-Ply Laser Engraved Modified Acrylic |
| Engraving Depth | 0.003" (0.076mm) - Depth may vary |
| Surface Finish | Matte |
| Thickness | 0.0625" (1.6mm) |
| Cutting Method | Laser |

TOLERANCES

Length: +/-0.12" | Width: +/-0.12" | Thickness: +/-5%

DURABILITY & ENVIRONMENT

- UV Tested: 3+ years without significant color change (ISO 4892-3)
- Suitable for outdoor use
- Temperature Range: -40F to 200F

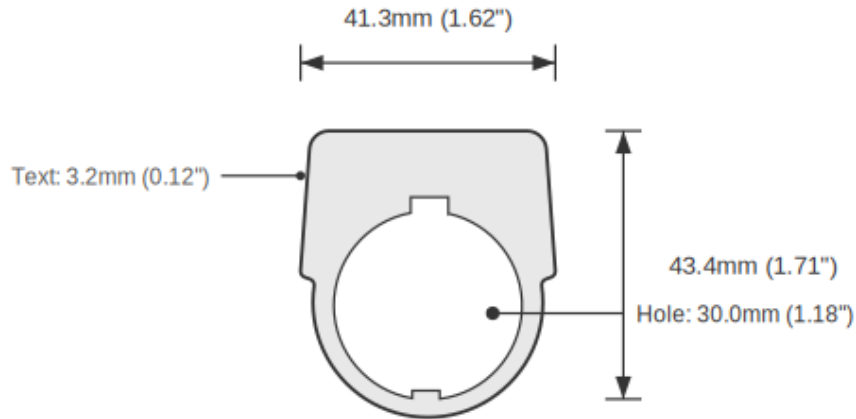
SAFETY RATINGS

| NFPA 704 | HMIS |
|--------------------------|------------------------------|
| Health: 0 (Minimal) | Health: 0 (Minimal) |
| Flammability: 1 (Slight) | Flammability: 1 (Slight) |
| Reactivity: 0 (Minimal) | Physical Hazard: 0 (Minimal) |

Transport: Not classified as dangerous goods

Product: LOCAL / REMOTE Push Button Legend Plate - 30mm Black on White (Schneider Electric)

SKU: TB-R3



DIMENSIONS

| | |
|----------------|----------------|
| Overall Width | 38.8mm (1.53") |
| Overall Height | 56.2mm (2.21") |
| Hole Diameter | 30.0mm (1.18") |
| Text Size | 3.2mm (0.12") |

NOTES

1. All dimensions in millimeters unless otherwise noted
2. Drawing not to scale
3. See page 1 for manufacturing tolerances
4. Custom sizes available upon request