

WARNING / ARC FLASH & SHOCK HAZARD / NOMINAL VOLTAGE: ___ / ARC FLASH BOUNDARY: ___ / INCIDENT ENERGY: ___ CAL/CM2 / WORKING DISTANCE: ___ IN / PPE

SKU: TB-RCT-40X20-WB2-H-4B1BC2

Category: NFPA 70E Labels

Color: White On Blue

ENGRAVED TEXT

Line 1: "WARNING"
Line 2: "ARC FLASH & SHOCK HAZARD"
Line 3: "NOMINAL VOLTAGE: ___"
Line 4: "ARC FLASH BOUNDARY: ___"
Line 5: "INCIDENT ENERGY: ___ cal/cm2"
Line 6: "WORKING DISTANCE: ___ in"
Line 7: "PPE / MIN ARC RATING: ___"

SPECIFICATIONS

Width	101.6mm (4.00")
Height	50.8mm (2.00")
Material	2-Ply Engraved Modified Acrylic
Engraving Depth	0.003" (0.076mm) - Depth may vary
Surface Finish	Matte
Thickness	0.0625" (1.6mm)
Cutting Method	Precision Cut

TOLERANCES

Length: +/-0.12" | Width: +/-0.12" | Thickness: +/-5%

DURABILITY & ENVIRONMENT

- UV Tested: 3+ years without significant color change (ISO 4892-3)
- Suitable for outdoor use
- Temperature Range: -40F to 200F

SAFETY RATINGS

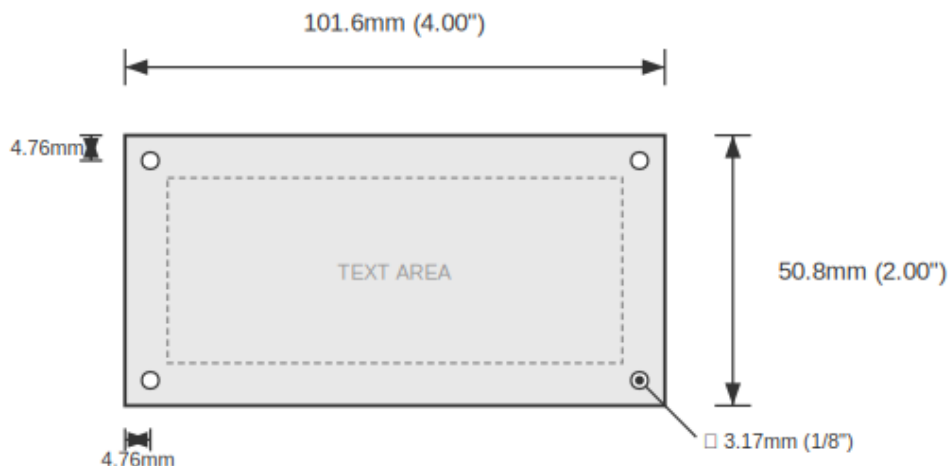
NFPA 704	HMIS
Health: 0 (Minimal)	Health: 0 (Minimal)
Flammability: 1 (Slight)	Flammability: 1 (Slight)
Reactivity: 0 (Minimal)	Physical Hazard: 0 (Minimal)

Generated: 2026-06-04 10:00 AM (Page 1 of 2)

Transport: Not classified as dangerous goods

Product: WARNING / ARC FLASH & SHOCK HAZARD / NOMINAL VOLTAGE: ___ / ARC FLASH BOUNDARY: ___ / INCIDENT ENERGY: ___ CAL/CM2 / WORKING DISTANCE: ___ IN / PPE

SKU: TB-RC



DIMENSIONS

Width	101.6mm (4.00")
Height	50.8mm (2.00")
Text Size	5.0mm (0.20")
Color	White On Blue
Corner Style	Square
Holes	Yes (4x corners)
Hole Diameter	3.18mm (1/8")
Hole Quantity	4
Hole Clearance	3.18mm (1/8") from each edge
Mounting	Screw through hole

NOTES

1. All dimensions in millimeters unless otherwise noted
2. Drawing not to scale
3. See page 1 for manufacturing tolerances
4. Custom sizes available upon request