

**WARNING / ELECTRICAL SHOCK HAZARD / NOMINAL VOLTAGE: \_\_\_ / DE-ENERGIZE WHEN POSSIBLE / VERIFY ABSENCE OF VOLTAGE Engraved Label - 6" x 3" White on B**

SKU: TB-RCT-60X30-WB-H-2AD9DB

Category: NFPA 70E Labels

Color: White On Black

## ENGRAVED TEXT

Line 1: "WARNING"  
Line 2: "ELECTRICAL SHOCK HAZARD"  
Line 3: "NOMINAL VOLTAGE: \_\_\_"  
Line 4: "DE-ENERGIZE WHEN POSSIBLE"  
Line 5: "VERIFY ABSENCE OF VOLTAGE"

## SPECIFICATIONS

Width	152.4mm (6.00")
Height	76.2mm (3.00")
Material	2-Ply Engraved Modified Acrylic
Engraving Depth	0.003" (0.076mm) - Depth may vary
Surface Finish	Matte
Thickness	0.0625" (1.6mm)
Cutting Method	Precision Cut

## TOLERANCES

Length: +/-0.12" | Width: +/-0.12" | Thickness: +/-5%

## DURABILITY & ENVIRONMENT

- UV Tested: 3+ years without significant color change (ISO 4892-3)
- Suitable for outdoor use
- Temperature Range: -40F to 200F

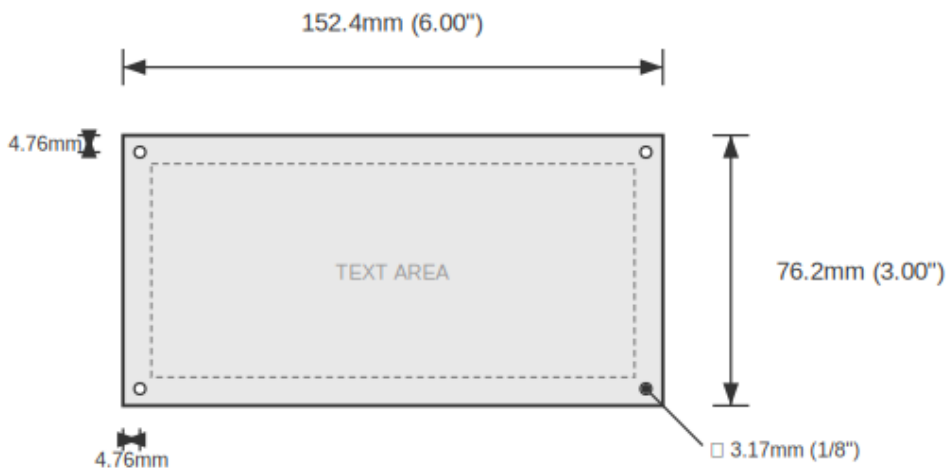
## SAFETY RATINGS

NFPA 704	HMIS
Health: 0 (Minimal)	Health: 0 (Minimal)
Flammability: 1 (Slight)	Flammability: 1 (Slight)
Reactivity: 0 (Minimal)	Physical Hazard: 0 (Minimal)

Transport: Not classified as dangerous goods

**Product: WARNING / ELECTRICAL SHOCK HAZARD / NOMINAL VOLTAGE: \_\_\_ / DE-ENERGIZE WHEN POSSIBLE / VERIFY ABSENCE OF VOLTAGE Engraved Label - 6" x 3" White on B**

SKU: TB-RC



## DIMENSIONS

Width	152.4mm (6.00")
Height	76.2mm (3.00")
Text Size	5.0mm (0.20")
Color	White On Black
Corner Style	Square
Holes	Yes (4x corners)
Hole Diameter	3.18mm (1/8")
Hole Quantity	4
Hole Clearance	3.18mm (1/8") from each edge
Mounting	Screw through hole

## NOTES

1. All dimensions in millimeters unless otherwise noted
2. Drawing not to scale
3. See page 1 for manufacturing tolerances
4. Custom sizes available upon request